

# OUR FOOTPRINTS



SUJEEET  
INDUSTRIES



## CORPORATE OFFICE

- 📍 C-93, MIDC Industrial Area Malegaon, Sinnar, Nashik. 422113
- 📞 02551-230331 / 8766897385 / 9225146555
- ✉️ bsh\_shament@rediffmail.com
- 🌐 www.sujeetind.com

## WORKS

- 📍 E-21, MIDC Industrial Area Malegaon, Sinnar, Nashik. 422113
- 📞 9225145222 / 9579148105
- ✉️ sales@sujeetind.com  
office@sujeetind.com

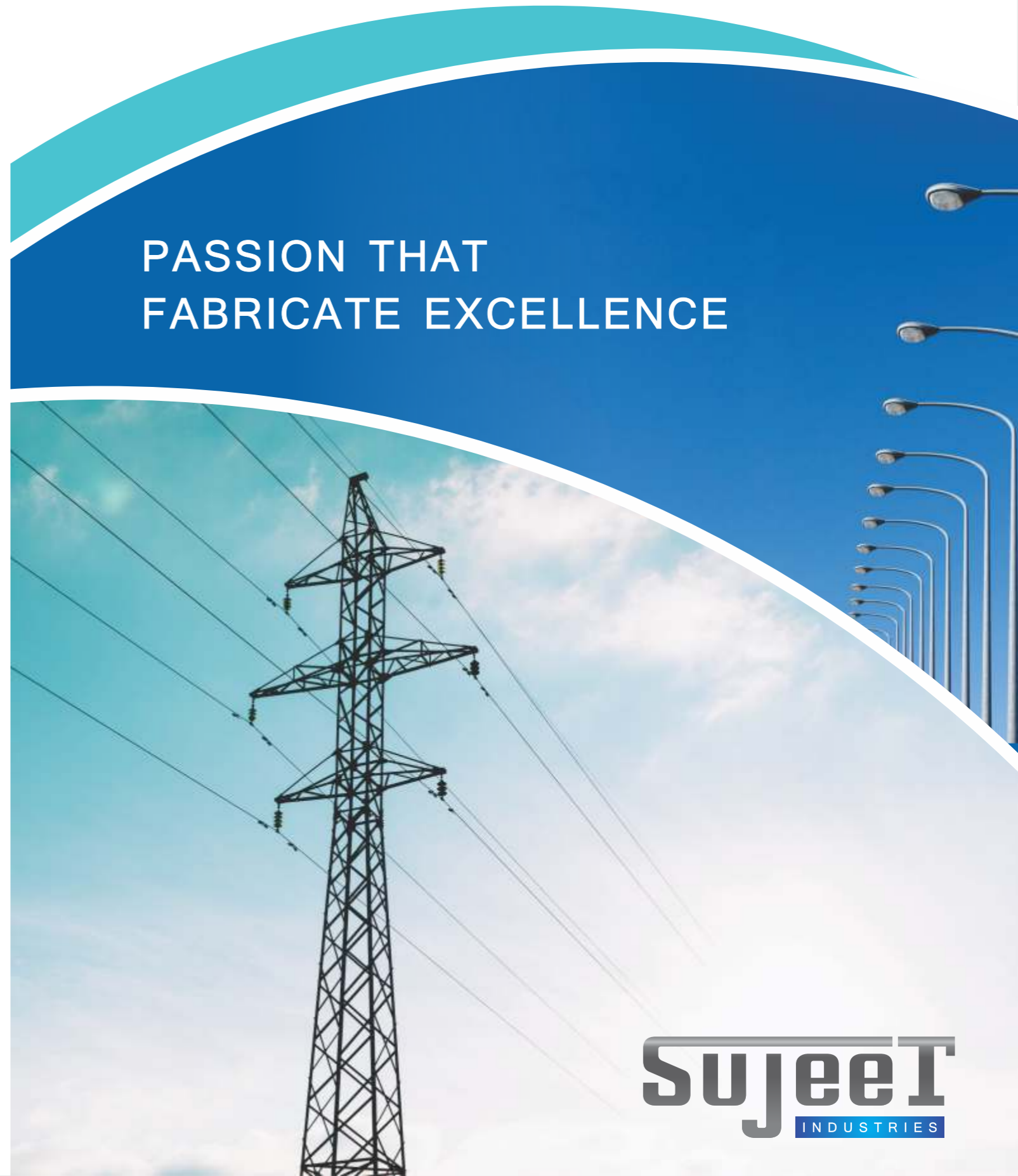
SCAN ME



www.dzinelemon.in | +91 8329 742753

# POWER OF BEST SOLUTIONS

PASSION THAT  
FABRICATE EXCELLENCE





## OUR OBJECTIVES ARE

- To build a long lasting relationship with customers based on trust and mutual benefits.
- To uphold high ethics to conduct the business.
- To promote a challenging career to its employees with opportunities and rewards.
- To value the opportunity and responsibility to make a meaningful difference in people's lives.

### THE CORPORATE VISION STATEMENT OF SHREERANG GROUP

Our vision statement to emerge a nationwide organization and leader in infra structure development business by adequately enhancing

- Quality
- Productivity
- Customer satisfaction
- Profitability

### OUR MISSION

To provide high quality products to consistently meet customers specific requirements by using innovative technologies within an enlivenment of motivated and dedicated employees who are determined to active perfection, highest business standards and work ethics.

### OUR STRENGTH

- Team of 20+ professionals, engineers & technicians who support the fieldwork.
- Team of 50+ skill manpower.
- Team of 200 +welders, fitters & other workers.
- Strict quality control from raw material procurement to project execution.
- Prot customer service and support for any change in requirements at any point in the project execution stage.



### COMPANY PROFILE

We Shreerang Group of Industries, since 2002 introduce ourselves as a leading manufacturer of steel products and hot dip galvanization service provider, located at Malegoan industrial area Sinnar, Nashik with 100% in-house facilities. We Shreerang Group of Industries believe in cooperation, friendly and pleasant working atmosphere. Shreerang Group and Industries is always thankful to valuable customers for our success.

Now we are introducing our new venture Sujeet Industries Pvt. Ltd. (SIPL) which manufactures a wide range of structures like lighting poles, solar mounting structure, telecommunication and transmission tower, rural and railway electrification structure, SIPL has, its in-house galvanizing plant.



SIPL trying to build up our company on the rock of faith in today's competitive market. We expect your kind co-operation in achieving our milestone. We dedicated ourselves to supplying a wide range of lighting poles, solar mounting structure, telecommunication and transmission tower, rural and railway electrification structure, and galvanizing coating service.

Our main target is to catering best services to our esteemed customers in the field of industrial and commercial by way of providing solutions in steel infrastructure.

We are fired by the passion to push the limits of engineering products like lighting poles, solar mounting structure, telecommunication and transmission tower, rural and railway electrification structure and galvanizing of any type of metal. Our technical team consist of trained & motivated engineers & professionals cater to all sorts of before and after sales backup.

SIPL is with a culture of excellence and orientation towards growth, the company is positioned to win the future. SIPL proactive, progressive and have been steadily improving its competitive advantages.





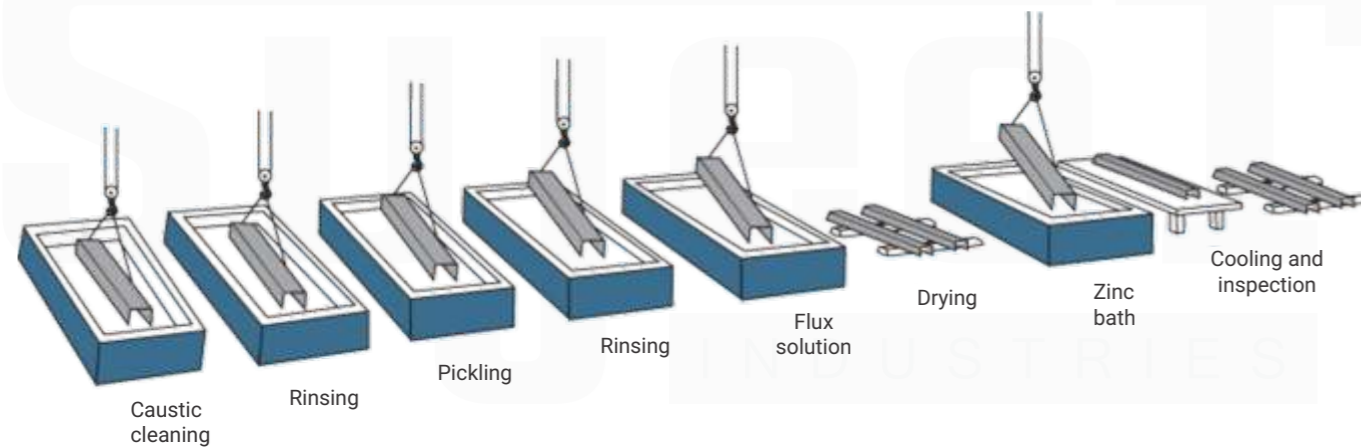
## OUR SERVICES

### HOT DIP GALVANIZATION

Hot Dip Galvanization process is carried in a fully automated temperature controlled oil Fired Galvanization bath. The company having Three Galvanizing Plants. The work carried out at each stage is as per the inspection matrix by the relevant standards. SIPL achieves the quality of Hot-Dip Galvanization of products by following a well-established quality plan. The Galvanization is being carried out as per IS : 4759 & 2629 on structure, also as per the international standards.

After Galvanization, Zinc coating thickness is measured with Magnetic Gauge and Eddy Current Method by Dial type Meters and digital Elcometers to measure the best Galvanization results. Well-equipped chemical laboratory for quality control and carried out a different test on finish products to ensure the best quality to our valued customer. With the above facilities, the production capacity of Hot-Dip Galvanization is approx. 3000 M.T. Per Month.

#### Galvanization Process



- Galvanizing Plant – 1 (L9.5Mtrs xW1.8 MTR X D 3 MTR)
- Galvanizing Plant – 2 (3.5Mtrs x1.2MTRX1.8MTR)
- Galvanizing Plant – 3 (2.5Mtrs x1.2MTRX1.8MTR)



## OUR PRODUCTS

### SWAGED TUBULAR POLE

Swaged tubular poles are specially used in street lighting purpose in NACS / Municipal corporations/ residential areas. These kinds of poles are specially designed by swaging at the end to give more tensile strength and durability. Being galvanized, it bears rust and maintenance free features.

Sujeet industries offered HDG / painted swaged tubular poles as per standards or customers specific needs with an average coating thickness of 85-105 micron.

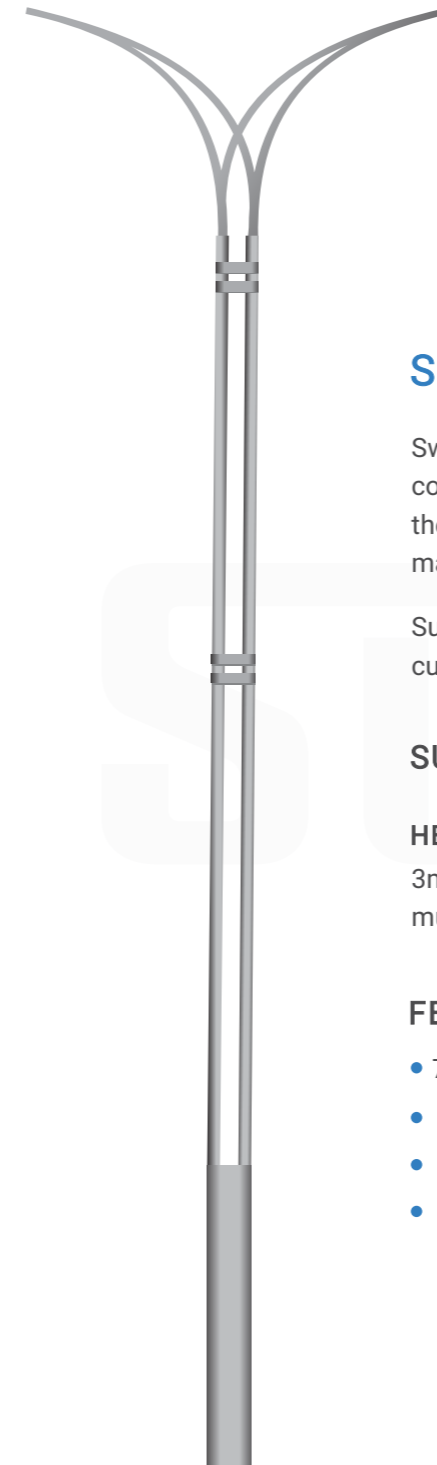
#### SUPPLY RANGE

##### HEIGHT

3m to 12m in single length (Also As Per Client Specification). Length can be increased by multiple sections.

#### FEATURES

- 7 Tank Galvanizing process for better adhesion and uniformity of zinc coating
- Single dip galvanizing process for a better finishing
- Segments are welded by Efficient Welding process for uniform and proper strength.
- It can be customized as per requirement.



# STREET LIGHT POLES

Whether you are looking for a wide selection of commercial poles: octagonal poles, swaged tubular pole and high mast. SIPL is committed to meeting your needs and being your supplier choice.

The versatility of SIPL poles allows, architects, engineers and design professionals to use these poles for a wide range of commercial, residential, Municipal and industrial applications.

## OCTAGONAL POLES

SIPL offered HDG octagonal poles as per standards or customers specific needs with an average coating thickness of 85-105micron.

we offered 3 mtr to 12 mtr pole height with 3 mm thickness of high tensile sheets, galvanized mounting bracket a are supplied along with the poles for installation of luminaries and foundation bolts for greater rigidity.

### SUPPLY RANGE

#### HEIGHT

3m to 12m in a single length (Also As Per Client Specification). Length can be increased by multiple section.

### TECHNICAL DETAILS

#### MATERIAL

Shaft- High tensile sheet/Plate Equivalent to BSEN 10025:2004/IS 2062:2011 Gr. E350BR/IS 5986:2011 Gr 355, Base Plate - As per IS 2062:2011 Gr E250A, Foundation Bolt- IS 1367:1994

#### GALVANIZING

As Per IS 4759:1996/IS 2629:1985/BSEN ISO 1461:2009

#### WIND SPEED

As per IS 875 (Part-3):2015 /As per customer requirement

#### DESIGN

As Per IS 875 Part-3:2015, IS 800:2007, IS 6533:1989, BS 5649:1985/EN 40, ILE TR-7:2000

#### WELDING

As per IS 10178 : 1995/ IS 9595 : 1996 Design safety factor: As per ILE TR 7:2000

### TOLERANCES

As per BS 5649 : 1978/EN 40, IS 1852: 1985

### FEATURES

- 7 Tank Galvanization process for a better adhesion and uniformity of zinc coating.
- Single dip galvanizing process for better finishing.
- External / Internal Hinge Provide for better anti-vandalism system.
- Segments are welded by the Submerged Arc Welding process for uniform and proper strength.
- It can be customized as per requirement.

### POLE SPECIFICATION

SR. NO.	PRODUCT NO.	POLE DETAILS				BASE PLATE DETAILS		
		HEIGHT (MM)	TOP A/F	BOTTOM A/F	POLE THICKNESS	LENGTH (MM)	WIDTH (MM)	THICKNESS (MM)
1	SIPL-BV3.0	3000	70	130	3	200	200	12
2	SIPL-BV4.0	4000	70	130	3	200	200	12
3	SIPL-BV5.0	5000	70	130	3	200	200	12
4	SIPL-BV6.0	6000	70	130	3	200	200	12
5	SIPL-BV7.0	7000	70	130	3	225	225	12
6	SIPL-BV8.0	8000	70	155	3	260	260	16
7	SIPL-BV9.0	9000	70	175	3	260	260	16
8	SIPL-BV9.1	9000	90	200	3	275	275	16
9	SIPL-BV11.0	11000	90	210	3	290	290	16
10	SIPL-BV12.0	12000	90	230	3	320	320	20
11	SIPL-BV13.0	13000	90	230	3	325	325	20

## CONICAL POLE

In our expensive range of products, we also offer our esteemed clients a broad array of conical poles. These poles are manufactured using quality assured steel that is produced from trusted vendors of market with the help of latest technology. Our offered poles are provided with hollow polygonal poles having a closely circular cross section at both ends and mainly used for street, roadways, pedestrian lightning purpose. Further, these conical poles are available in various specifications as per our client requirements at market leading prices.

### FEATURES

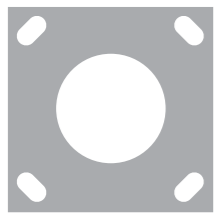
- CCTV System
- Flag holder
- Exterior Hi-Bay lighting
- Traffic lighting and signals

SIPL developed during all these years of experience machines and solutions to produce such poles with high quality, reliability, high production rate making system very flexible to match the market target.

For the above products SIPL used the following machines:

- Plasma cutting machine for trapezium preparation
- Synchronized press brake for trapezium bending, using a special machine and dies for round and conical poles.
- Submerged arc welding machine for pole welding and automatic straightening.

SIPL can support the manufacturing companies to make the best choice in terms of best technology solution at reasonable and custom investment level.



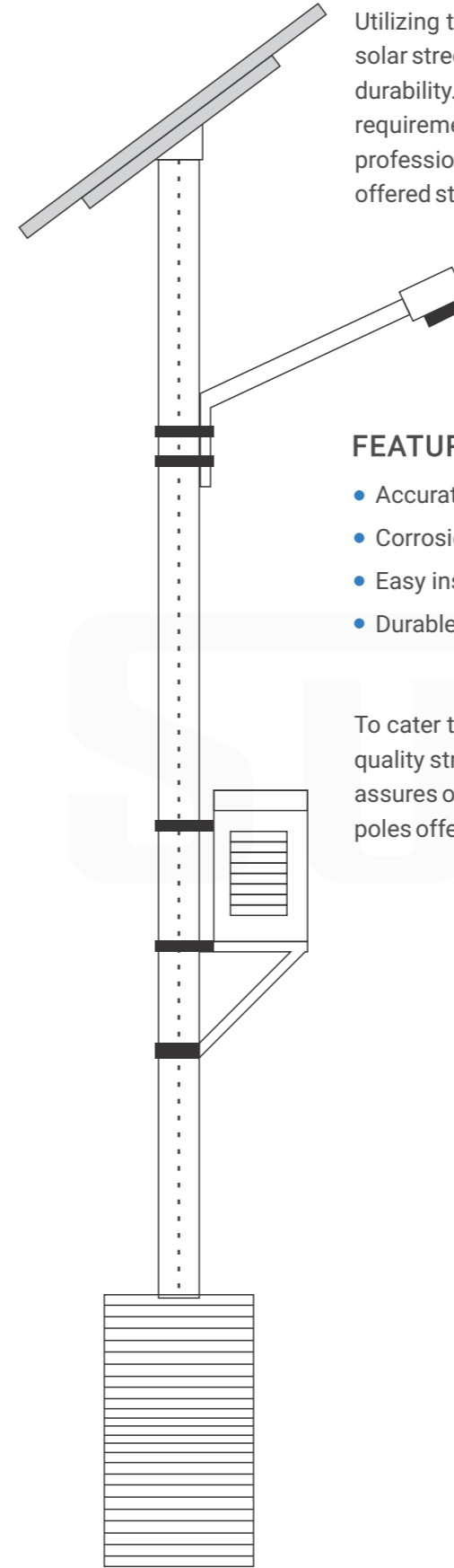
## SOLAR LIGHT POLE

Utilizing the modern technology and latest machinery, we bring forth the wide array of solar street light pole. It is widely demanded all over the world for its excellent design and durability. The offered light poles are available in various specifications, as per the requirements of our esteemed clients. Premium quality raw material is used by professionals, along with contemporary production equipment to manufacture our offered street light poles.

### FEATURES

- Accurate dimensions
- Corrosion resistance
- Easy installation
- Durable

To cater the rising demands and requirements of our clients, we come with superlative quality street light pole. Manufactured using advance technology, the offered product is assures of premium quality. Easy to install and to maintain, the entire range of street light poles offerd by us has amassed words of intense praise among our respected clients.





## SOLAR SOLUTIONS

SILP Solar solution is engaged in manufacturing of solar panel mounting structures. Our Solar Mounting Structures are designed and engineered for each customer's site specific conditions to minimize the field installation labour and require no filed welding, drilling or other on-site fabrication. These pre-engineered structures are fast to make, economical and can easily withstand up to 25 years without any maintenance. Our innovative technology and product is now so immensely famous that we are supplying steel mounting structures for most of the solar energy projects all over India.

### WHY SIPL SOLAR STRUCTURE:-

- Cost effective(structure the best stiffness/price ratio).
- Surface treatment for corrosive resistant(hot dip galvanized coating upto 105 micron).
- The structures are well protected against adverse climate conditions.
- Easy and fast to assembled :-minimum number of component.
- SIPL system is well designed, aesthetically well pleasing , well tested and proven.
- Due to unique design the structures can very easily be erected at the site with even unskilled labour.

### MOUNTING STRUCTURES TYPES OF SECTIONS:-

- C Channel
- C Channel with Lip
- Z Channel
- Z Channel with Lip
- L Angle

### ROOF TOP STRUCTURE:-

- Single Portrait type
- Double portrait Type

### GROUND MOUNTING STRUCTURE :-

- Seasonal tilt type structure
- Fixed tilt type structure

### SOLAR WATER PUMPING SYSTEM

India has a strong agricultural background from last many decades. But yet many villages & forest locations whichever is most suitable for agriculture not yet been electrified. Solar water pumps is one of the Best solution & also economical for electrification of water Pumping& helping to our Nation to growth of agriculture economy.

Sujeet Industries is a leading provider of Solar Irrigation Mounting Structures in India. Our structure are Designed with high quality for maximum & longer life with optimum structure design, maximum efficiency by maintaining quality Standards. We are thankful to our designing team they Designed Structure in such way that it can also work with the existing utility Power to have more working hours of the solar pump.



## POWER TRANSMISSION & ELECTRIFICATION

SUJEEET INDUSTRIES is one of the best Transmission Line Tower & Sub Station Structure manufacturers in Maharashtra. Our Tower Manufacturing facility has been approved by Power grid and all reputed Electricity Boards across the country. The Plant manufactures a wide range of Transmission Line Towers and Substation structure. The present capacity for manufacturing Transmission line structures & Sub Station Structure is near about 2000 Tons per annum or year.

We Fabricate a full-range-cum-diverse product ranging from 66kV to 765kV Towers (Single Circuit, Double Circuit, Multi Circuit Towers suitable for Twin, Quad and Hex Conductor configurations) strictly as per drawings and design provided by our valued customers.

We Have separate wing for Manufacturing transmission tower parts and distribution Material For rural and metro projects.

- Railway electrification structures for OHE & TSS
- B series masts
- RSJ masts
- BFB masts
- Two track cantilever
- Portals (O, N, R Type)
- Small parts steel( SPS)
- Traction substation (TSS)



## RURAL ELECTRIFICATION AND SUBSTATION STRUCTURE

SIPL offers Rural Electrification business, cum a fast range cum diverse product basket ranging from 11 KV to 33 KV Manufacture AND Supply products as per drawings provided by our customer. The Company has powered infrastructure development with our in-house expertise.

- Rural Electrification steel structures used for the transmission/distribution of 11 /33 KV power.
- Supply single. Double & four poles for 11 Kv to 33 Kv Line
- Supporting Channels
- Bracket
- Supporting cross bracings
- Clamps
- Steel fabricated accessories for different arrangements





## FABRICATION

The Fabrication shop comprises of CNC Machines, imported hydraulic machine and special purpose machines to perform operations such as,

- Straightening of sections
- CNC Profile Cutting (Plasma & Oxy Fuel Cutting)
- CNC Sections Punching
- CNC Plate Punching
- CNC Bending
- CNC Plate Shearing
- Section Cutting
- Item Numbering
- Saw Welding
- MIG Welding
- Bandsaw Cutting
- Heavy Drilling
- Hot Bending
- Spray Painting Booth
- Lathe Machine Shop
- Heavy Engineering

## PLASMA CUTTING



We specialize in customized profile cutting of complex parts and components from their CAD/CAM/CAE drawings. We cut these complex profile parts in a variety of materials. We offering a wide range of Plasma Cutting Service. By applying advanced technology cutting machines, we work very hard to satisfy clients and produce spectacular results.

Apart from this, the offered plasma cutting service is used for forming 2D shapes from sheet metal using a ADVANCED CNC Technology. Cutting Capacity upto 200 mm/ss

### OTHER FABRICATION PRODUCTS

- MS Gratings
- Wallways
- Cable Trays
- Ladders

100% black inspection is carried out for all products, thus leaving no room for doubt in quality.



**CNC BENDING**  
Capacity upto 8 mm  
12 mtr length



**SHERING MACHINE**  
Capacity 10 mm  
Upto 3.2 mtr



## MANUFACTURING UNITS OF SHREERANG GROUP

### SUJEET INDUSTRIES

- E-21 Sujeet Industries Pvt Ltd., MIDC Industrial Area Malegaon, Sinnar, Nashik. 422113 (HDG Division,Pole Division,Solar Division)
- 957 914 8105 / 9225145222

### SHAM ENTERPRISES

- C-93/94 Sham Enterprises, MIDC Industrial Area Malegaon, Sinnar, Nashik. 422113 (Hot Dip Galvanizing)
- 8208586668 / 9225145222

### SUJEET INDUSTRIES

- C-2 Sujeet Industries, MIDC Industrial Area Malegaon, Sinnar, Nashik. 422113. (Wooden Packaging)
- 9225146555 / 9225723922

### SHAM ENTERPRISES

- C-73 Co-erogated Packaging, MIDC Industrial Area Malegaon, Sinnar, Nashik. 422113
- 9225146555 / 9923085055



## OUR CLIENTS

